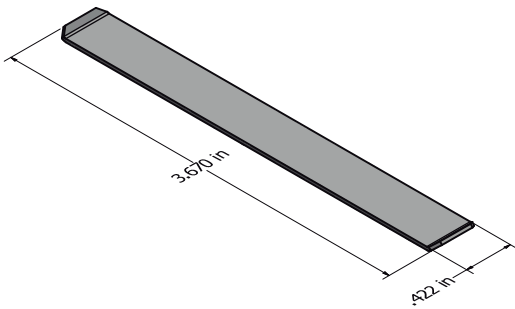


# 05

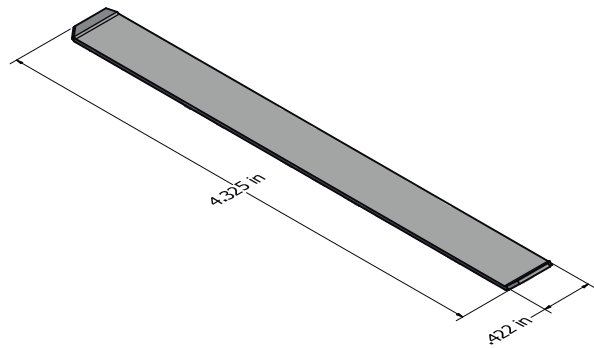
Arms and  
equipment.

# FLAT SPRING

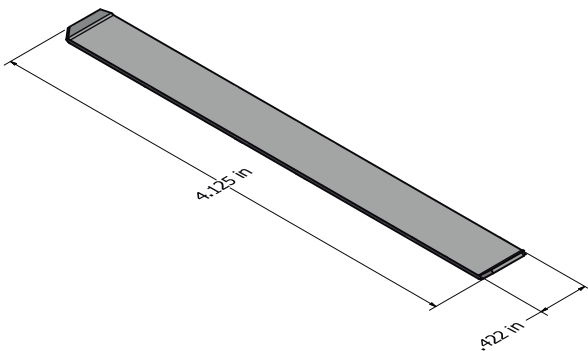
**P025-9099-FNRA-QG**



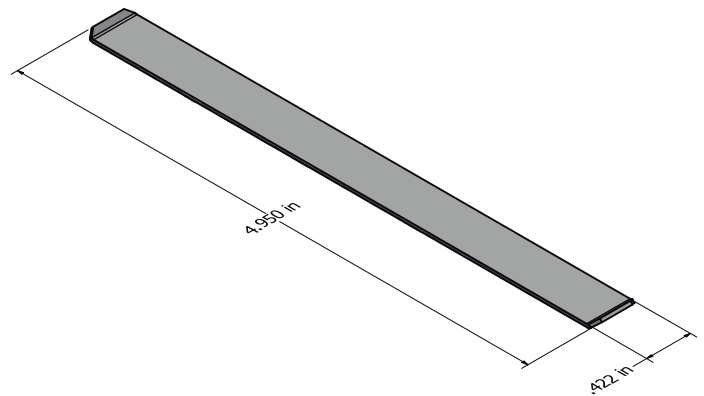
**P025-9099-FNRA-78**



**P025-9099-FNRA-70**

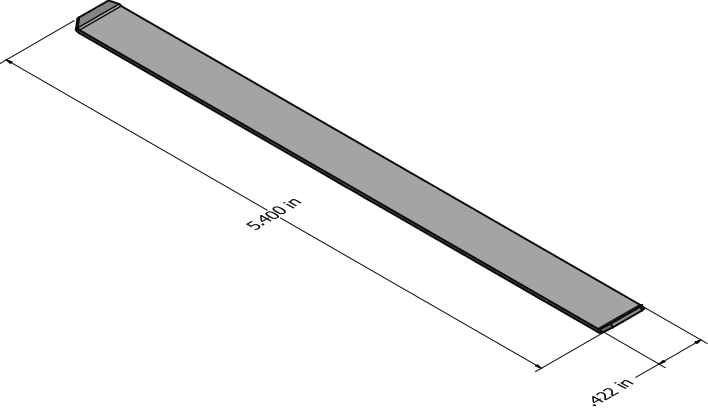


**P025-9099-FNRA-83**

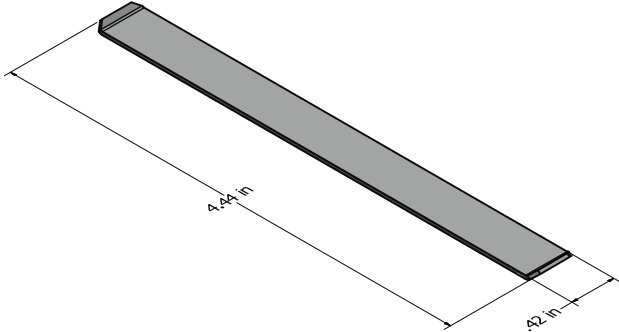


# FLAT SPRING

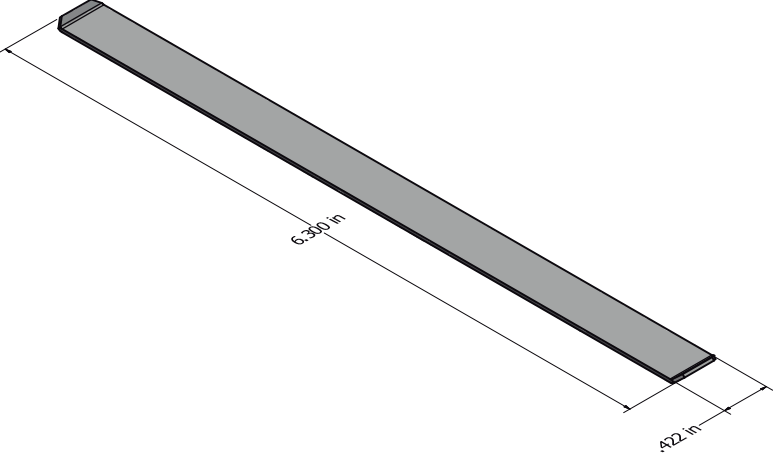
**P025-9099-FNRA-90**



**P025-9099-FNRA-NIS**

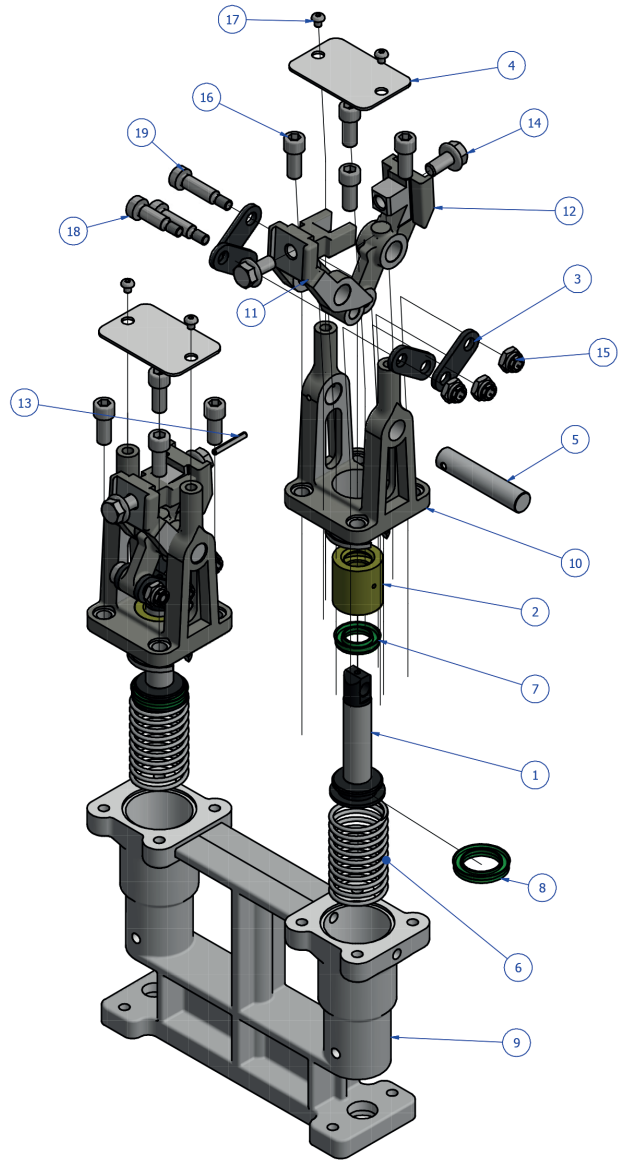


**P025-9099-FNRA-100**



# P025-2015-102-6051A-RB

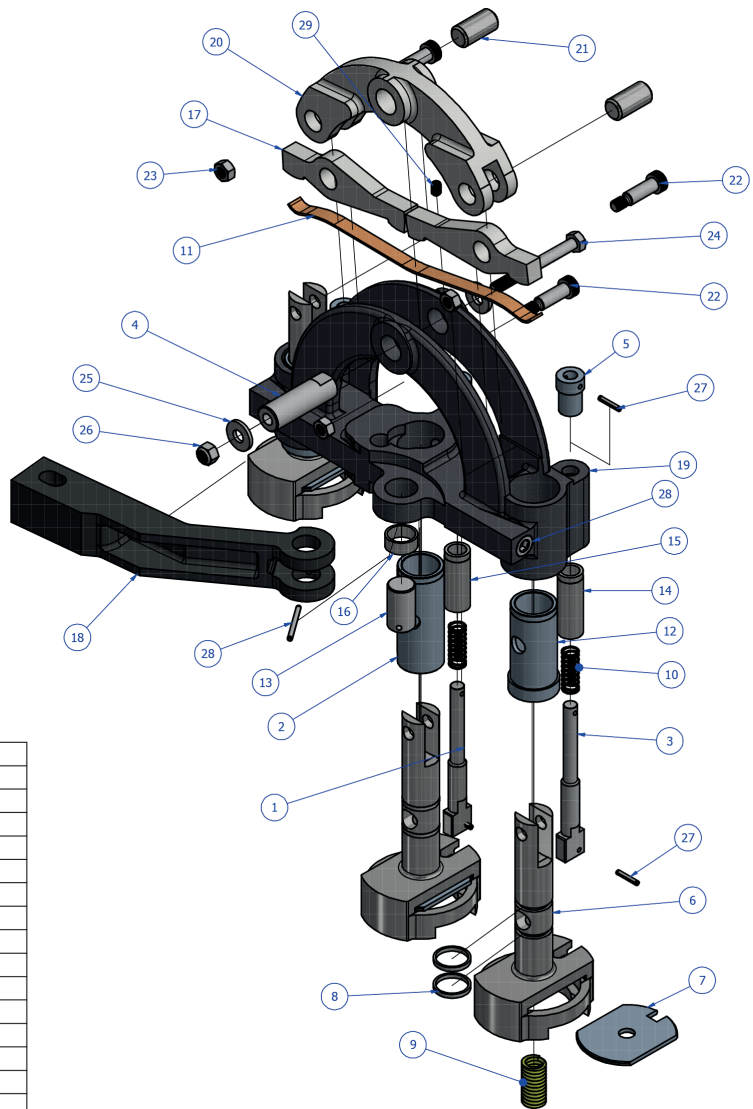
## REPAIR B - TAKE OUT ARM



19	COMMERCIAL ITEM	4	SOCKET HEAD SHOULDER HEAD D 8 mm X 25 mm- M6
18	COMMERCIAL ITEM	2	SOCKET HEAD SHOULDER HEAD D 8 mm X 20 mm- M6
17	COMMERCIAL ITEM	4	BUTTON HEAD SCREW M4 X 5 mm
16	COMMERCIAL ITEM	8	SOCKET HEAD SCREW 5/16-18 X 3/4"
15	COMMERCIAL ITEM	6	SAFE NUT M6
14	COMMERCIAL ITEM	4	HEX FLANGE SCREW 5/16-18 X 5/8"
13	COMMERCIAL ITEM	2	ROLL PIN 1/8" X 1"
12	CUSTOMER PART	2	P025-1778-102-463
11	CUSTOMER PART	2	P025-1778-102-482
10	CUSTOMER PART	2	P025-1778-102-484
9	CUSTOMER PART	1	P025-2015-102-6051A-0
8	009774-2	2	GASKETS KIT, ITEM 2 / 009774
7	009774-1	2	GASKETS KIT, ITEM 1 / 009774
6	P025-1778-102-495	2	COMPRESSION SPRING
5	P025-1778-102-503	2	SHAFT
4	P025-1778-102-6051A-1	2	COVER PLATE,STEEL
3	P025-1778-102-11	8	LINK
2	P025-1778-102-504	2	BUSHING, BRONZE
1	P025-1778-102-485-B	2	PISTON ROD
ITEM	No. DE PARTE	CANT	DESCRIPCION
LISTADO DE PARTES			

# P025-KTA-030013

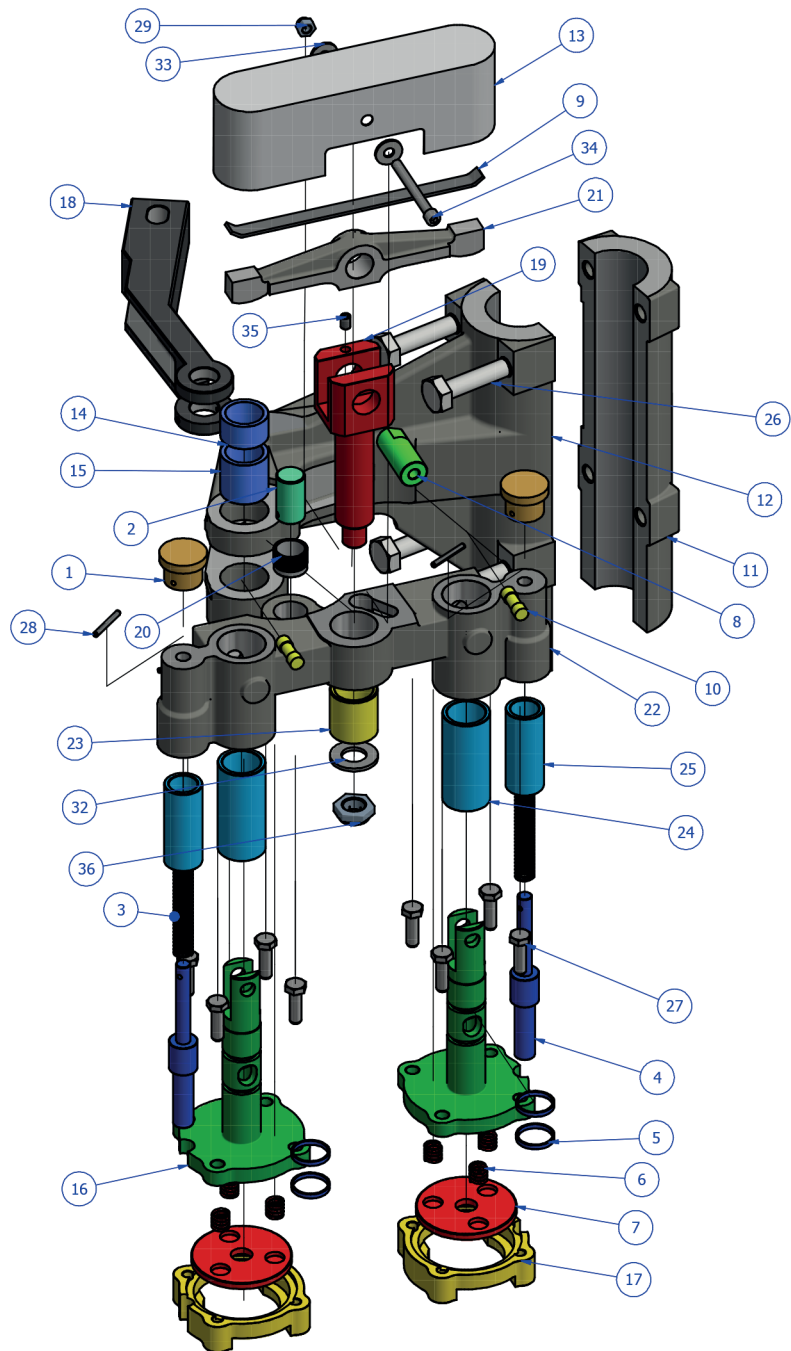
## REPAIR A - BAFFLE ARM TG



29	COMMERCIAL ITEM	1	SOCKET SET SCRE, 1/4-20 X 3/8"
28	COMMERCIAL ITEM	1	ROLL PIN, 1/8" X 1 1/2"
27	COMMERCIAL ITEM	6	ROLL PIN, 1/8" X 3/4"
26	COMMERCIAL ITEM	1	LOCK NUT, 5/16-18
25	COMMERCIAL ITEM	2	WASHER 5/16"
24	COMMERCIAL ITEM	1	HEX HD BOLT, 5/16-18 X 3"
23	COMMERCIAL ITEM	3	HEX NUT, 5/16-18
22	COMMERCIAL ITEM	3	SHOULDER SCREW 3/8 X 1"
21	COMMERCIAL ITEM	2	DOWEL PIN 5/8 X 1 1/4
20	CUSTOMER PART	1	P025-2015-104-242
19	CUSTOMER PART	1	P025-2015-104-241
18	CUSTOMER PART	1	P025-2015-104-144
17	CUSTOMER PART	2	P025-2015-104-243
16	P025-2015-109-179	1	SUPPORT BUSHING
15	P025-2015-104-159	1	SLEEVE CENTER
14	P025-2015-104-63	2	SLEEVE
13	P025-2015-109-178	1	PIN
12	P025-2015-104-156-A	2	BUSHING
11	P025-2015-104-244	1	LEAF SPRING
10	P025-2015-104-140	3	COMPRESSION SPRING LATCH
9	P025-2015-104-95-A	3	COMPRESSION SPRING BAFFLE
8	P025-2520-10	6	P025-2520-10
7	P025-2015-104-94	3	BAFFLE LOCK PRESSURE PLATE
6	P025-2015-104-216-A	3	BAFFLE LOCK RING
5	P025-2015-104-139	3	KNOB
4	P025-2015-104-232	1	PIVOT PIN
3	P025-2015-104-215-A	2	LATCH
2	P025-2015-104-239	1	BUSHING CENTER
1	P025-2015-104-214-A	1	LATCH CENTER
ITEM	No. DE PARTE	CANT.	DESCRIPCION
LISTADO DE PARTES			

# 009950

## BAFFLE ARM DG



36	COMMERCIAL ITEM	1	SAFE NUT 5/8"
35	COMMERCIAL ITEM	1	SOCKET SET SCREW 1/4-20 X 3/8"
34	COMMERCIAL ITEM	1	SOCKET SCREW 1/4-20 X 2.25"
33	COMMERCIAL ITEM	2	WASHER 1/4"
32	COMMERCIAL ITEM	1	WASHER 5/8"
31	COMMERCIAL ITEM	1	ROLL PIN 1/8" X 1.5"
29	COMMERCIAL ITEM	1	SAFE NUT 1/4"
28	COMMERCIAL ITEM	2	ROLL PIN 1/16" X 1"
27	COMMERCIAL ITEM	8	HEXHEAD SCREW 5/16-18 X 1"
26	COMMERCIAL ITEM	4	HEXHEAD SCREW 1/2-13 X 2"
25	CUSTOMER PART	2	BUSHING SHORT SUPPORT / P025-306239
24	CUSTOMER PART	2	BUSHING BAFFLE / P025-311271
23	CUSTOMER PART	1	BUSHING BAFFLE SUPPORT / P025-311262
22	CUSTOMER PART	1	BAFFLE SUPPURT / P025-160657
21	CUSTOMER PART	1	ROCKER ARM / P025-311249
20	CUSTOMER PART	1	CENTRAL BUSHING / P025-311099
19	CUSTOMER PART	1	CENTRAL PIN / P025-311259
18	CUSTOMER PART	1	ARM LINK / P025-310493
17	CUSTOMER PART	2	BAFFLE RING / P025-311275-2
16	CUSTOMER PART	2	BAFFLE SHAFT / P025-311275-1
15	CUSTOMER PART	1	BUSHING LONG BAFFLE ARM
14	CUSTOMER PART	1	BUSHING SHORT BAFFLE ARM
13	CUSTOMER PART	1	B011-GLASS- COVER, STAINLESS STEEL
12	CUSTOMER PART	1	BAFFLE ARM BRACKET, IRON CAST
11	CUSTOMER PART	1	BAFFLE ARM, IRON CAST
10	B010-GLASS	2	PIN LOCK
9	010019	1	FLAT SPRING, OIS 109-136
8	B007-GLASS	1	CENTRAL PIN, SS D 3/4"
7	B013-GLASS	2	WEAR PLATE, TS
6	010021	6	SPRING SHORT BAFFLE
5	010152	4	PISTON RING, OD 1" X 1/8"
4	B014-GLASS	2	LATCH, SS
3	010020	2	RETAINER SPRING OIS 18-27
2	B008-GLASS	1	PIN ARM, SS AISI 303
1	B009-GLASS	2	LATCH HANDLE,SS, D 1.25
ITEM	No. DE PARTE	CANT.	DESCRIPCION
LISTADO DE PARTES			